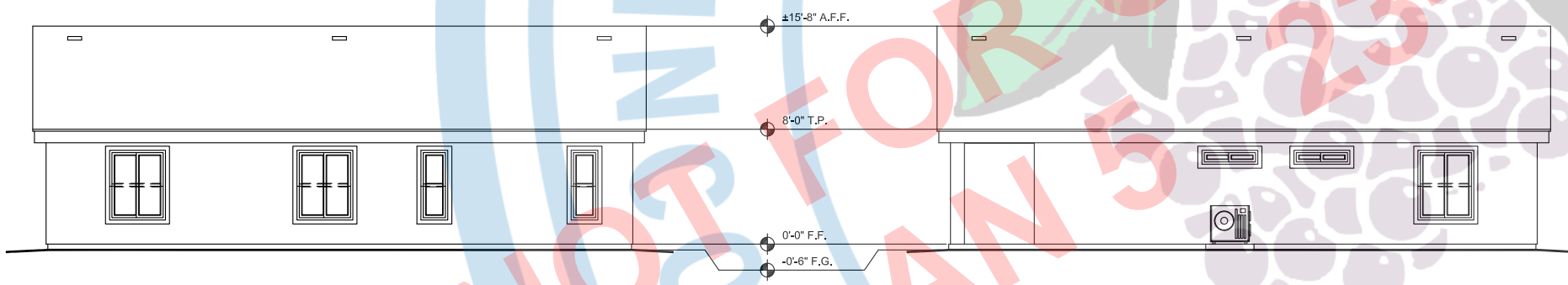


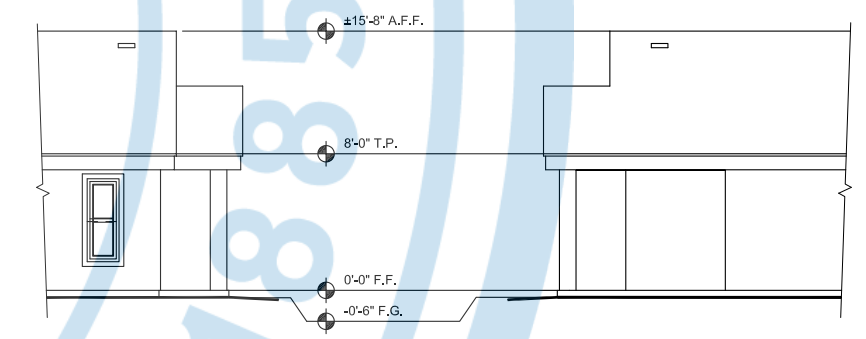
**FRONT ELEVATION**  
 GABLE  
 MATERIALS AND SPECIFICATIONS ABOVE ARE APPLICABLE TO ALL SIDES OF THE ACCESSORY DWELLING UNIT.

**FRONT ELEVATION**  
 GABLE W/ENLARGED PORCH OPTION  
 MATERIALS AND SPECIFICATIONS ABOVE ARE APPLICABLE TO ALL SIDES OF THE ACCESSORY DWELLING UNIT.

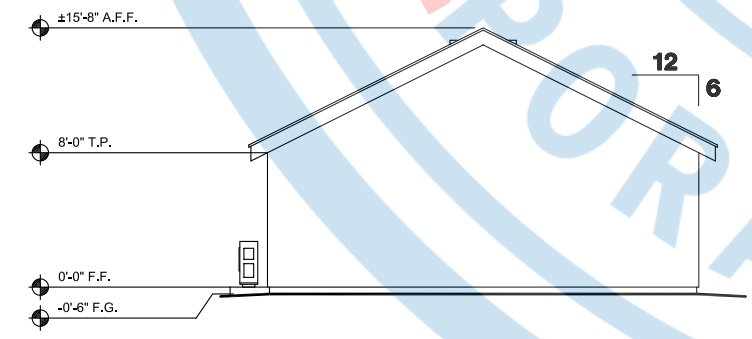


**LEFT ELEVATION**  
 GABLE

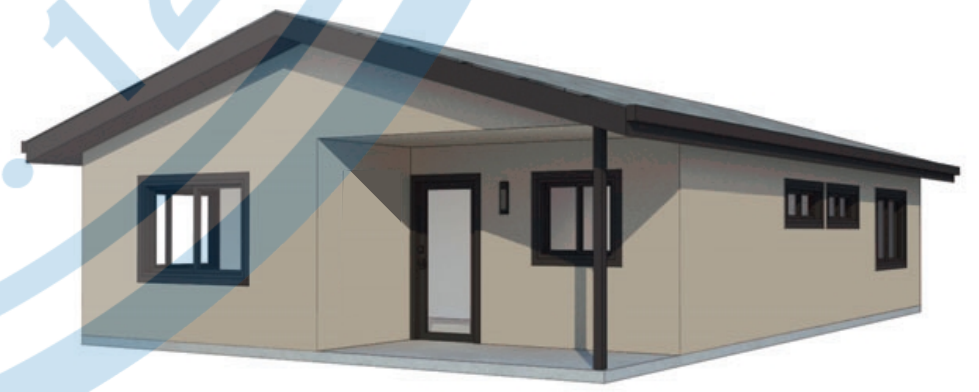
**RIGHT ELEVATION**  
 GABLE

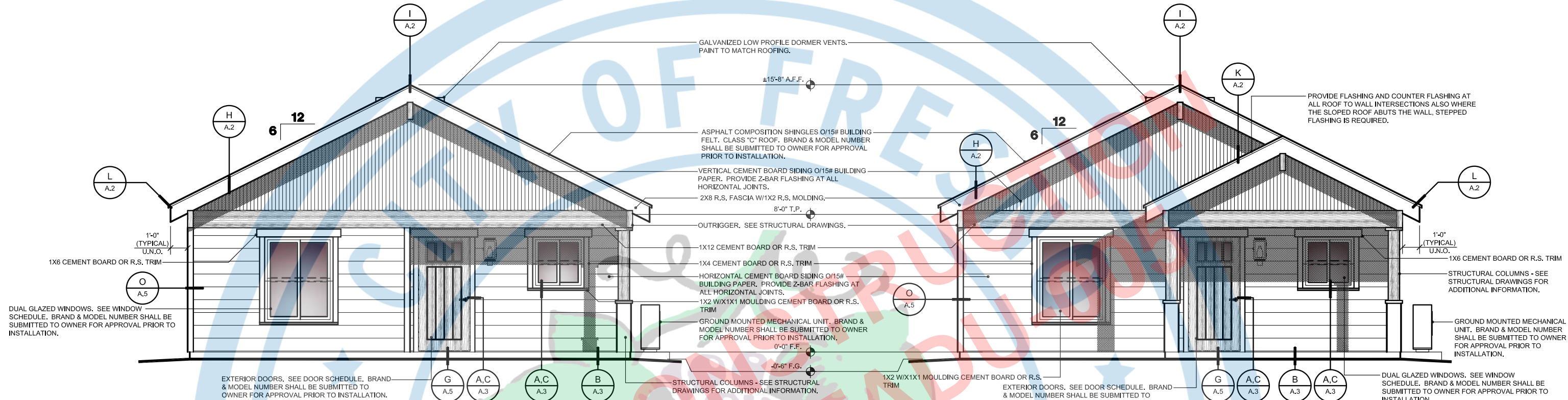


**LEFT & RIGHT ELEVATION**  
 GABLE W/ENLARGED PORCH OPTION



**REAR ELEVATION**  
 GABLE





**FRONT ELEVATION**

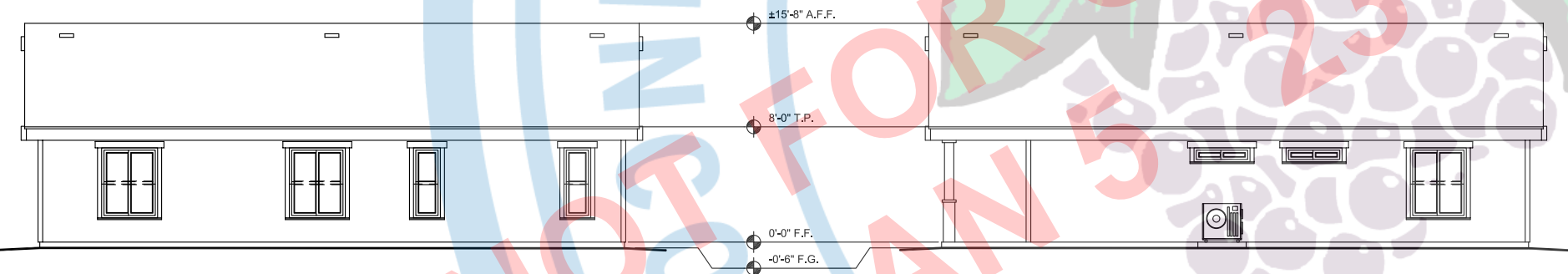
CRAFTSMAN

MATERIALS AND SPECIFICATIONS ABOVE ARE APPLICABLE TO ALL SIDES OF THE ACCESSORY DWELLING UNIT.

**FRONT ELEVATION**

CRAFTSMAN W/ENLARGED PORCH OPTION

MATERIALS AND SPECIFICATIONS ABOVE ARE APPLICABLE TO ALL SIDES OF THE ACCESSORY DWELLING UNIT.

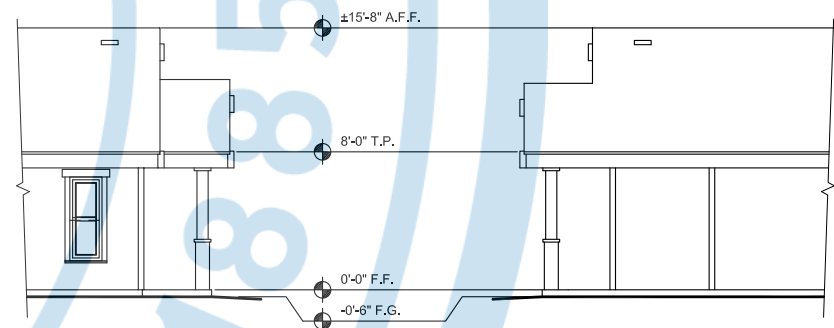


**LEFT ELEVATION**

CRAFTSMAN

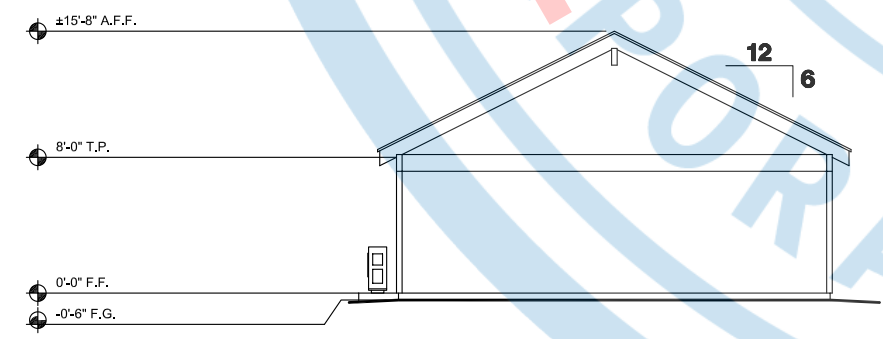
**RIGHT ELEVATION**

CRAFTSMAN



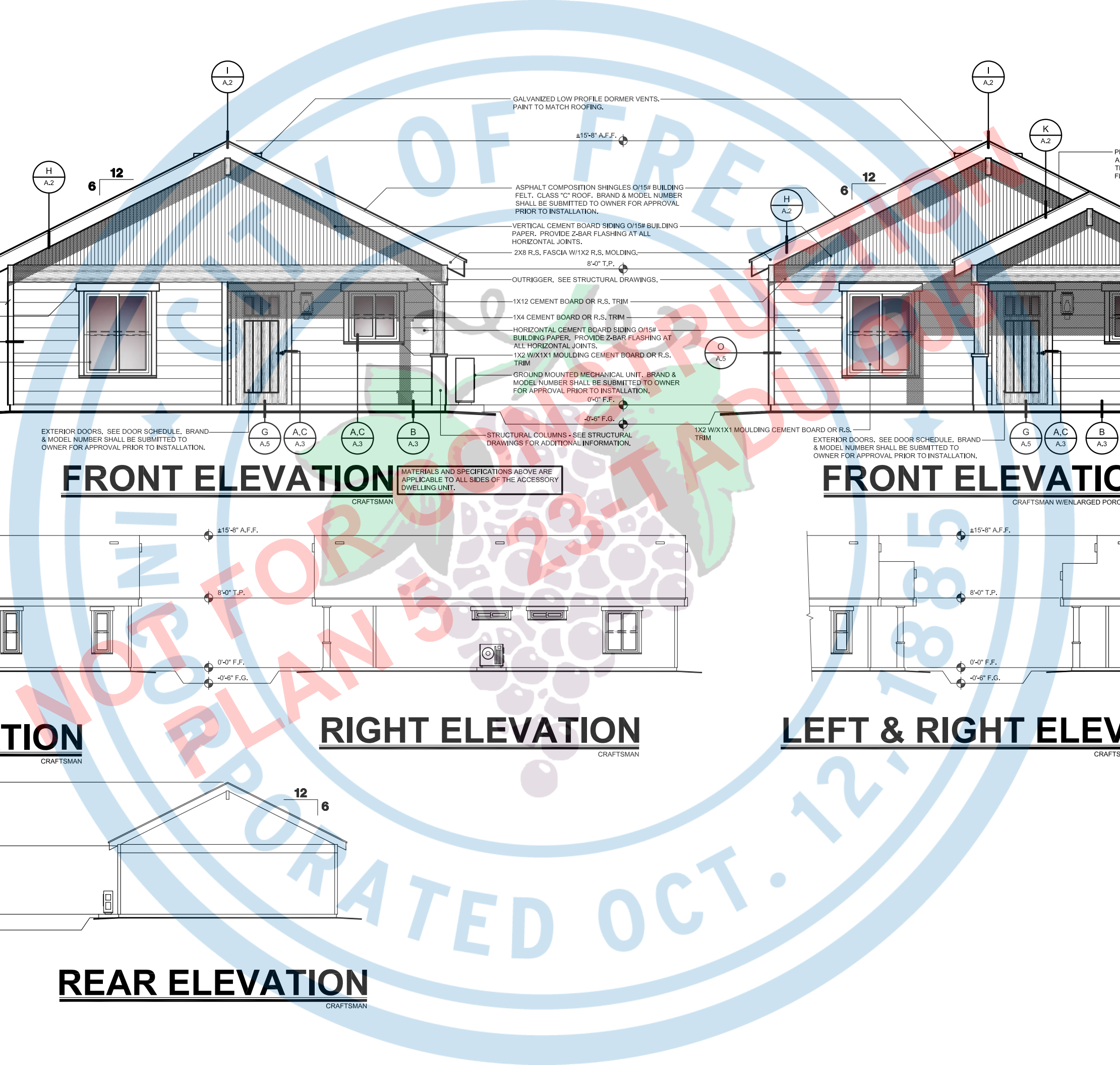
**LEFT & RIGHT ELEVATION**

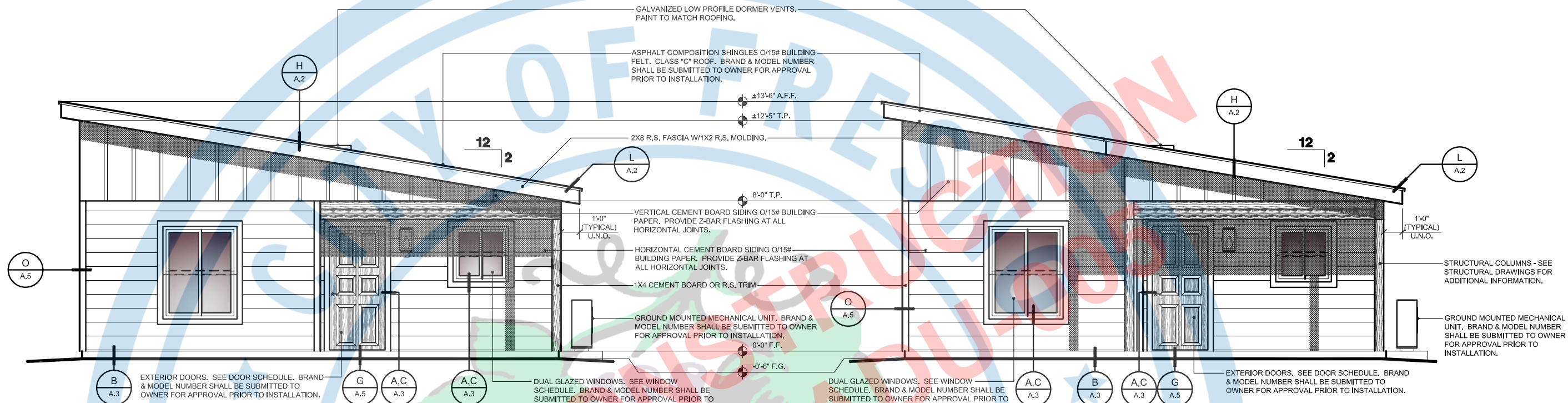
CRAFTSMAN W/ENLARGED PORCH OPTION



**REAR ELEVATION**

CRAFTSMAN





**FRONT ELEVATION**

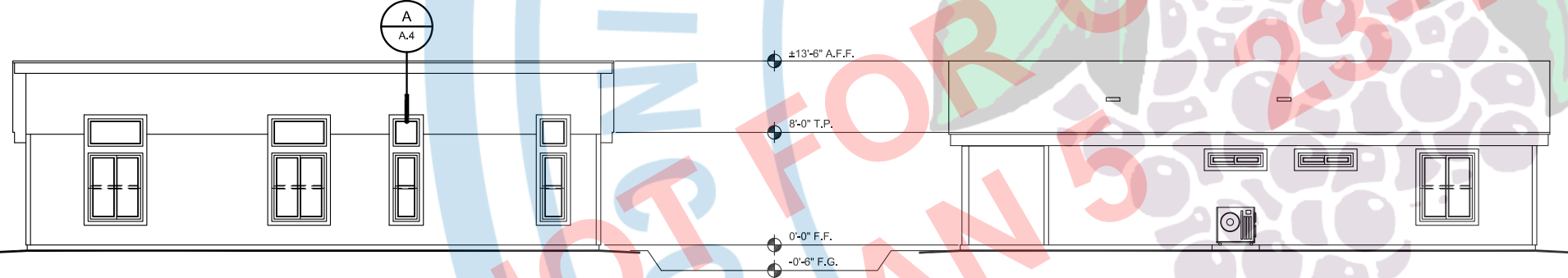
MATERIALS AND SPECIFICATIONS ABOVE ARE APPLICABLE TO ALL SIDES OF THE ACCESSORY DWELLING UNIT.

CONTEMPORARY

**FRONT ELEVATION**

MATERIALS AND SPECIFICATIONS ABOVE ARE APPLICABLE TO ALL SIDES OF THE ACCESSORY DWELLING UNIT.

CONTEMPORARY W/ENLARGED PORCH OPTION

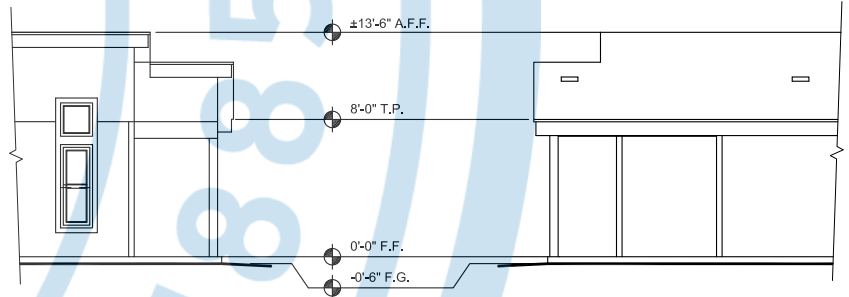


**LEFT ELEVATION**

CONTEMPORARY

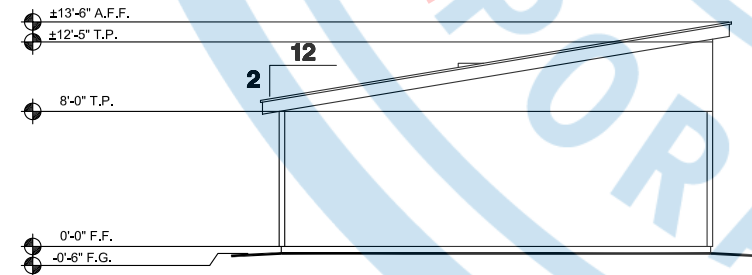
**RIGHT ELEVATION**

CONTEMPORARY



**LEFT & RIGHT ELEVATION**

CONTEMPORARY W/ENLARGED PORCH OPTION



**REAR ELEVATION**

CONTEMPORARY

