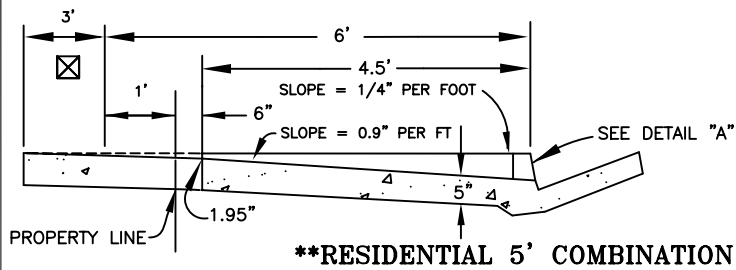
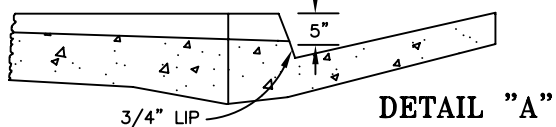


☒ DENOTES UNOBSTRUCTED ONSITE (PEDESTRIAN) LANDING AREA PER A.D.A. REQUIREMENTS. PEDESTRIAN EASEMENT REQUIRED

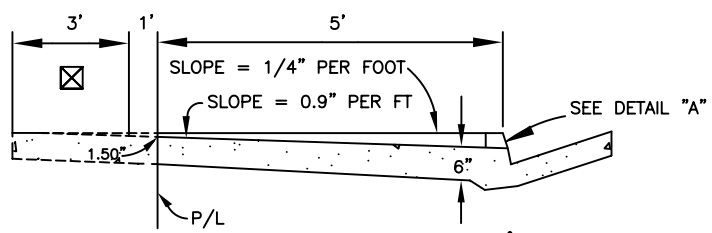


****RESIDENTIAL 5' COMBINATION**

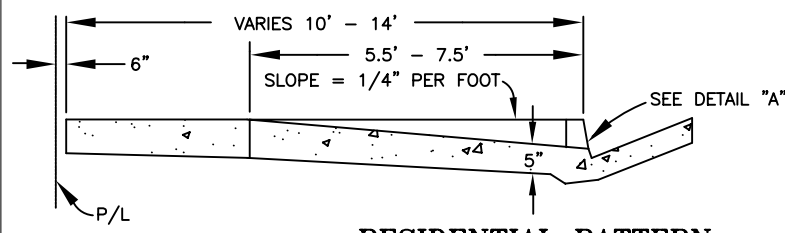
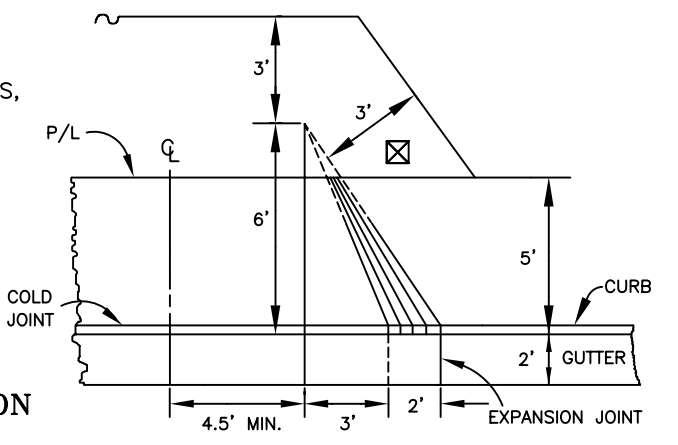
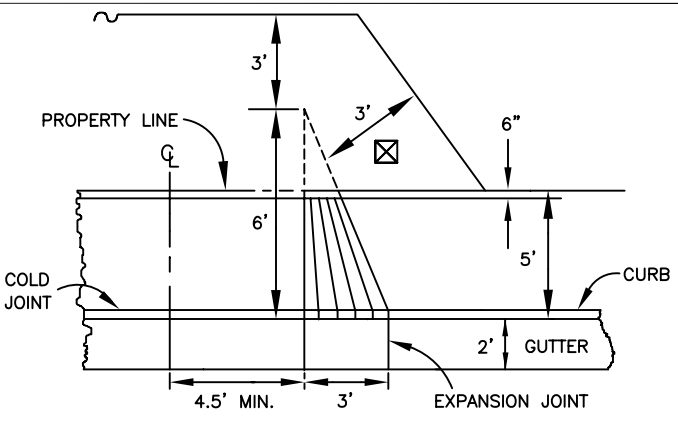


DETAIL "A"

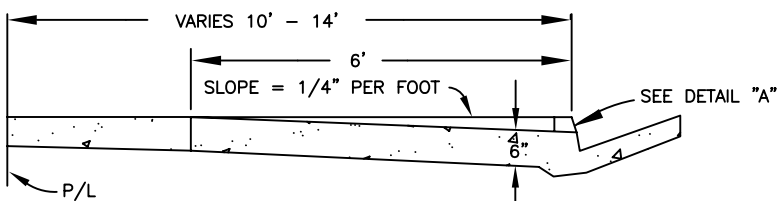
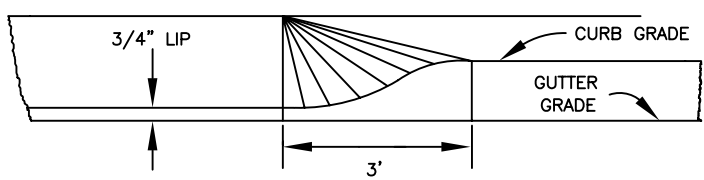
NOTE: FOR CURB & GUTTER DETAILS, SEE DRG. P-5



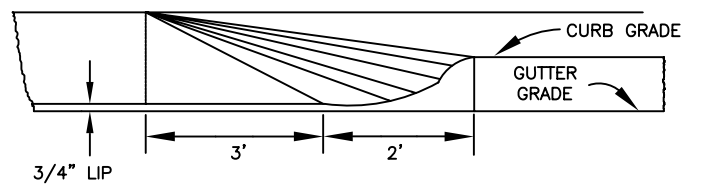
****COMMERCIAL 5' COMBINATION**



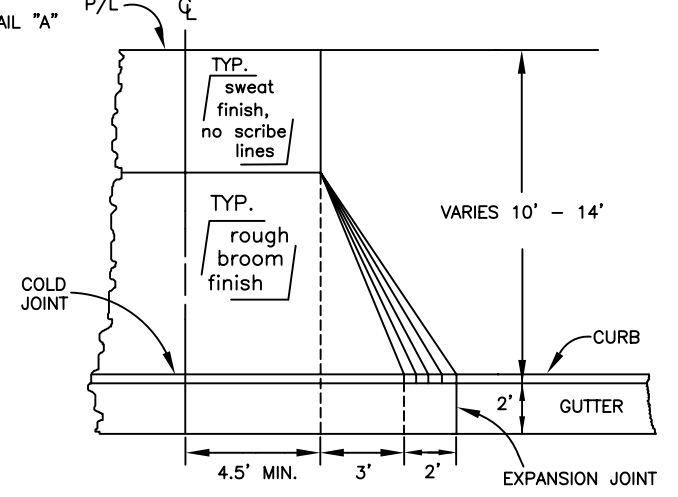
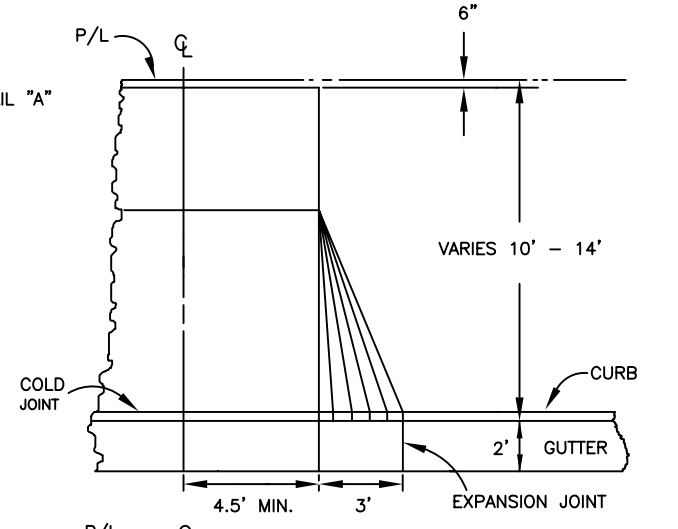
RESIDENTIAL PATTERN



COMMERCIAL PATTERN



NOTE: WHERE STANDARD WALK IS NOT REQUIRED BY ORDINANCE OR WHERE WALK HAS BEEN WAIVED
 ** 5' PATTERNS ARE FOR USE ON RETROFITS AND/OR WITH APPROVAL OF THE ENGINEER.



**DRIVEWAY APPROACHES
 FOR
 VARIOUS CURB PATTERNS**

REF. & REV.
 DEC., 2004

CITY OF FRESNO
P-3