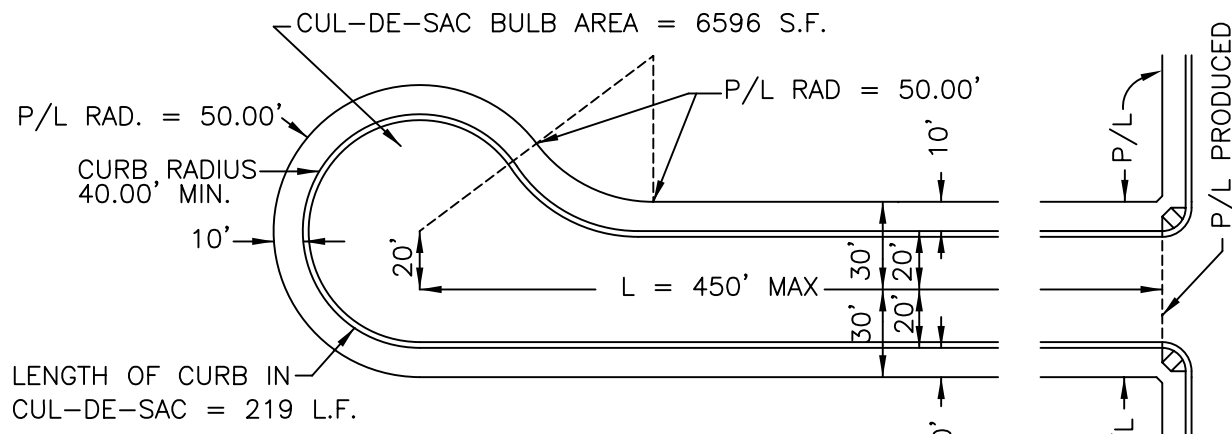
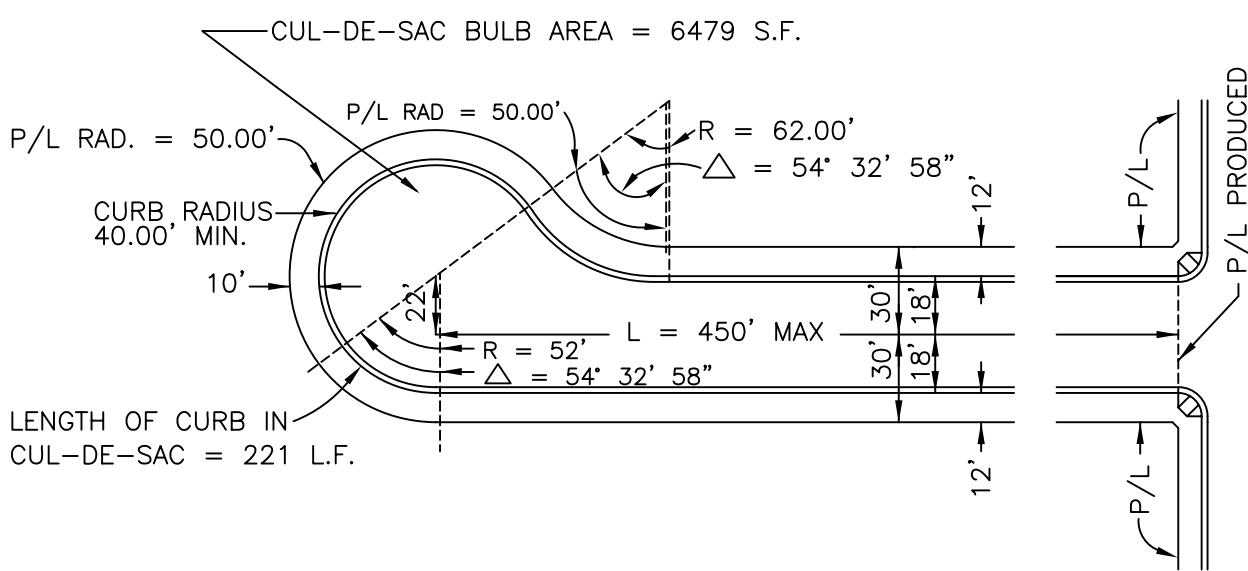


**NOTE:** 1. PAVING WITHIN CUL-DE-SAC TO CROSS STREET GUTTER LINE SHALL BE A MINIMUM OF 2" A.C. OVER 4" A.B. OR 4" A.C. OVER 6" C.N.S.



STREET



CROSS